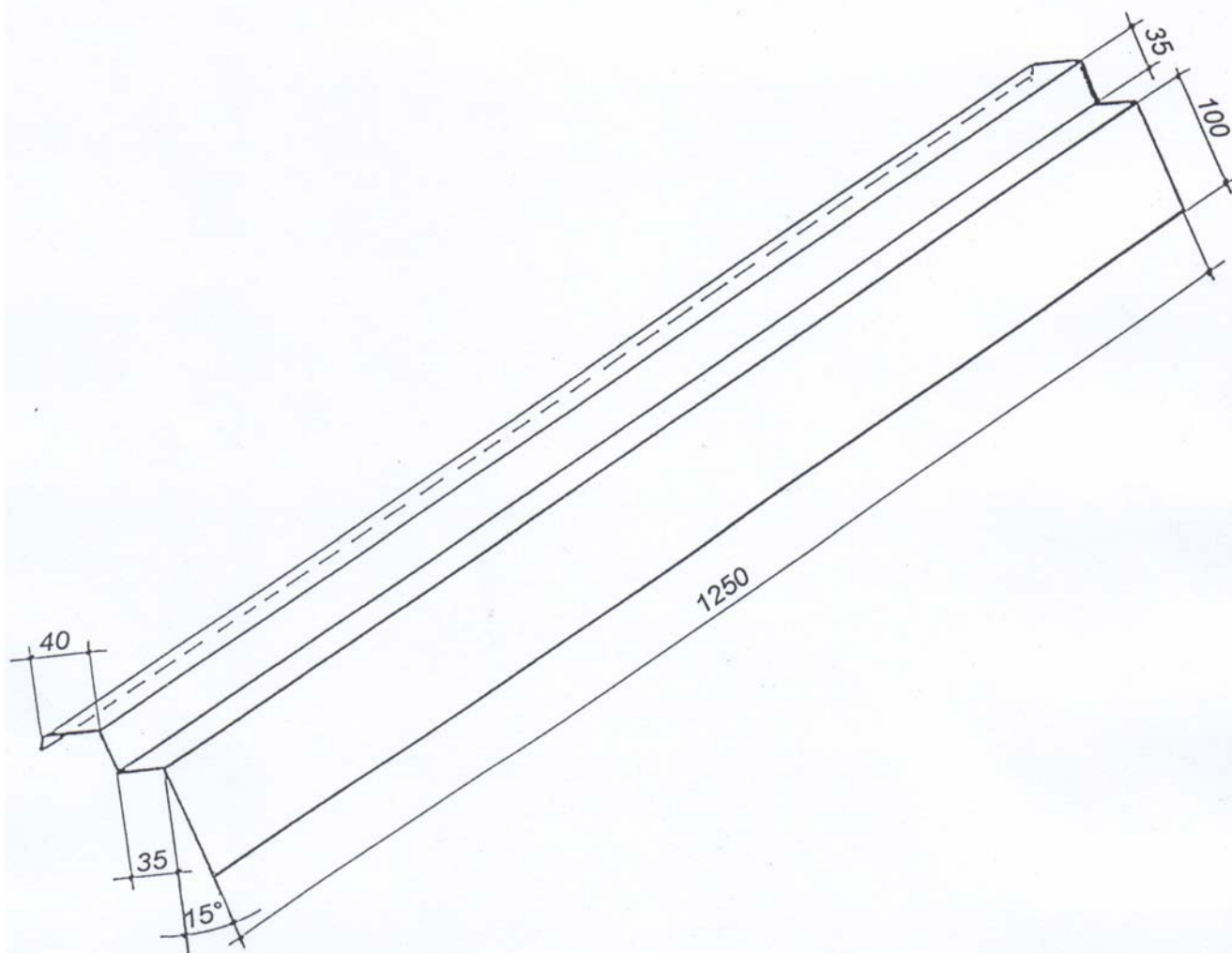


# EAVES CLOSURE



## **Technical:**

Steelsheet covered with Aluzinc Z150 (55% aluminium, 45% zinc) ; minimal thickness 0,50 mm.

UV- and weather resistant surface, pearly or satiny finishing.

Cover length : 1.200 mm ; 0,83 pieces per current meter

Weight : 1 kg

Fixing with 4 special nails.

Packing : 16 units.

Info: [www.alcotile.be](http://www.alcotile.be)

N.V. G.V. Products S.A.

Technical information september 2004.