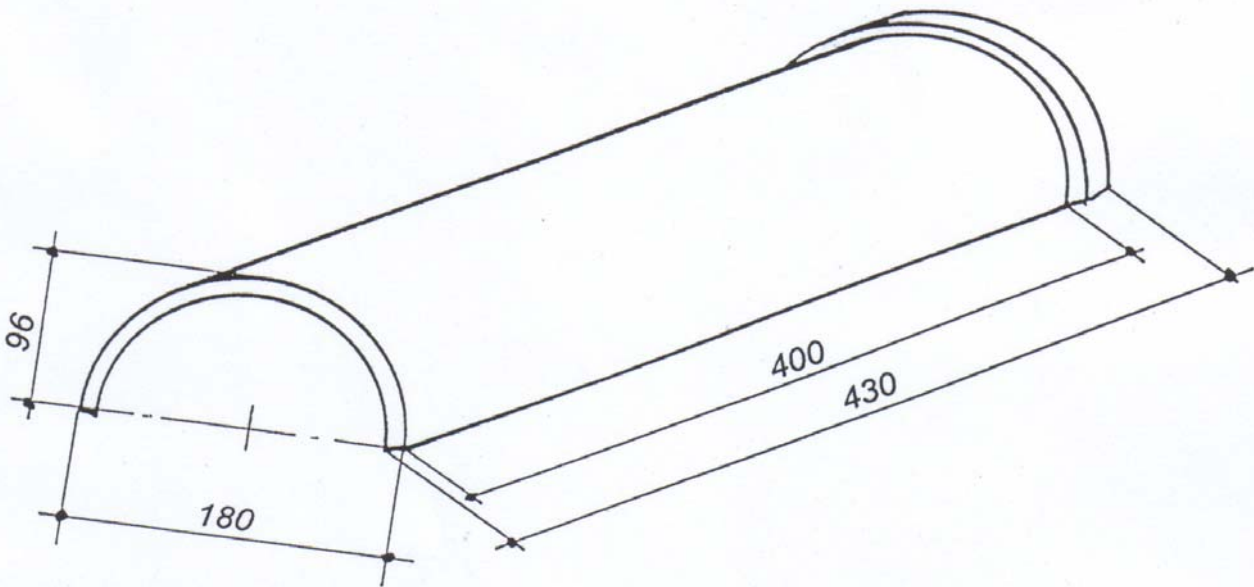


RIDGE CAP



Technical data:

Steel sheet covered with Aluzinc Z150 (55% aluminium, 45% zinc) ; minimal thickness 0,50 mm.

Cover length : 400 mm ; 2,5 pieces per current meter

Weight : 0,4 kg,

Fixing with 4 special nails.

Packing : 36 units.

Info: www.alcotile.be

N.V. G.V. Products S.A.

Technical information september 2004.